

Order picking truck

| Truck specifications | | | | | OME100H , Duplex mast | OME100H , Triplex mast |
|----------------------|---|--|--------------------------------|-------|-----------------------|------------------------|
| Identification | 1.1 | Manufacturer | | | Toyota | Toyota |
| | 1.2 | Model | | | OME100H , Duplex mast | OME100H , Triplex mast |
| | 1.3 | Drive | | | Electric | Electric |
| | 1.4 | Operator type | | | Stand on | Stand on |
| | 1.5 | Load capacity/rated load | Q | kg | 1000 | 1000 |
| | 1.6 | Load centre | c | mm | 600 | 600 |
| | 1.8 | Load distance, centre of load axle to fork face | x | mm | 203 ¹⁾ | 228 ¹⁾ |
| | 1.9 | Wheelbase | y | mm | 1477 | 1503 |
| Weight | 2.1 | Service weight including battery | | kg | 3068 | 3835 |
| | 2.2 | Axle load, with load, drive/fork wheel | | kg | 1160/2909 | 1581/3255 |
| | 2.3 | Axle load, without load, drive/fork wheel | | kg | 1729/1339 | 2157/1678 |
| Wheels | 3.1 | Drive/fork wheel | | | Vulkollan | Vulkollan |
| | 3.2 | Wheel size, front | | mm | Ø 230 x 110 | Ø 230 x 110 |
| | 3.3 | Wheel size, rear | | mm | Ø 350 x 140 | Ø 350 x 140 |
| | 3.5 | Wheels, number front/rear (x = driven wheels) | | | 2/1 (*) | 2/1 (*) |
| | 3.6 | Track width, front | b ₁₀ | mm | 910 | 1110 |
| Dimensions | 4.2 | Height, mast lowered | h ₁ | mm | 3152 | 3367 |
| | 4.4 | Lift movement | h ₃ | mm | 4689 | 6987 |
| | | Lift height | h ₂₃ | mm | 5639 | 7937 |
| | 4.5 | Height, mast extended | h ₄ | mm | 7100 | 9400 |
| | 4.7 | Height of overhead guard (cab) | h ₆ | mm | 2402 | 2402 |
| | 4.8 | Stand height | h ₇ | mm | 305 | 305 |
| | 4.11 | Initial lift movement | h ₉ | mm | 870 | 870 |
| | 4.14 | Stand height, elevated | h ₁₂ | mm | 5000 | 7300 |
| | 4.14.1 | Picking height (h ₁₂ + 1600 mm) | h ₂₈ | mm | 6600 | 8900 |
| | 4.19 | Overall length | l ₁ | mm | 2692 | 2768 |
| | 4.20 | Length to face of forks | l ₂ | mm | 1892 ¹⁾ | 1969 ¹⁾ |
| | 4.21 | Overall width ²⁾ | b ₁ /b ₂ | mm | 1050/1000 | 1250/1200 |
| | 4.22 | Fork dimensions | s/e/l | mm | 62/115/800 | 62/115/800 |
| | 4.25 | Width over forks | b ₅ | mm | 560/685/776 | 560/685/776 |
| | 4.31 | Ground clearance, with load, below mast | m ₁ | mm | 52 | 52 |
| | 4.32 | Ground clearance, centre of wheelbase | m ₂ | mm | 52 | 52 |
| | 4.33 | Aisle width for pallets 1000x1200 crossways | A _{st} | mm | 1400 | 1500 |
| | 4.34 | Aisle width for pallets 800x1200 lengthways | A _{st} | mm | 1250 | 1250 |
| 4.35 | Turning radius | W _a | mm | 1689 | 1741 | |
| 4.41 | Transfer aisle width, 800x1200 lengthways | Au | mm | 3148 | 3224 | |
| 4.44 | Clear width driver compartment entrance | | mm | 555 | 555 | |
| Performance data | 5.1 | Travel speed, with/without load | | km/h | 12,0/12,0 | 12,0/12,0 |
| | 5.2 | Lift speed, with/without load | | m/s | 0,35/0,40 | 0,35/0,40 |
| | 5.3 | Lowering speed, with/without load | | m/s | 0,45/0,45 | 0,45/0,45 |
| | 5.9 | Acceleration time (0-10 meters) with/without load | | s | 6,0/5,5 | 6,0/5,5 |
| | 5.10 | Service brake | | | Electric | Electric |
| Electric motor | 6.1 | Drive motor rating S2 60 min | | kW | 7,5 | 7,5 |
| | 6.2 | Lift motor rating S3 15% | | kW | 11 | 11 |
| | 6.4 | Battery voltage, nominal capacity K ₅ | | V/Ah | 48/465 | 48/620 |
| | 6.5 | Battery weight | | kg | 725-810 | 925-1035 |
| | 6.6 | Energy consumption acc to VDI cycle | | kWh/h | 3,09 | 3,33 |
| | Other | 8.1 | Type of drive control | | | Variable AC |
| 8.4 | | Sound level at the driver's ear according to EN 12 053 | | dB(A) | 60 | 60 |
| 8.6 | | Steering | | | Electric | Electric |

1) With adjustable forks add 38 mm to x and l₂.

2) b₁ = chassis width, b₂ = cab width

All data are based on table configuration. Other configurations may give other values.

Truck performance and dimensions are nominal and subject to tolerances.

Toyota Material Handling Manufacturing Sweden AB products and specifications are subject to change without notice.

Mast dimensions

BT optio

| Chassis width, b_1 (mm) | | Battery | | Duplex Telescopic | | | | | | | | | | Triplex Telescopic | | | | | | |
|---------------------------|-----------------------|-----------|----|-------------------|------|------|------|------|------|------|------|------|-------|--------------------|------|------|------|-------|-------|-------|
| OME100H | 1050 | 465 Ah | | X | X | X | X | — | — | — | — | — | — | — | X | X | — | — | — | — |
| | 1250 | 465/620Ah | | — | — | — | — | X/X | X/X | X/X | X/X | X/X | —/X | —/X | X/X | X/X | X/X | X/X | —/X | —/X |
| | Platform height | h_{12} | mm | 3550 | 3950 | 4500 | 5000 | 5500 | 6000 | 6500 | 7000 | 7500 | 8000 | 8500 | 5500 | 6100 | 7300 | 8200 | 9500 | 10500 |
| | Height, mast lowered | h_1 | mm | 2427 | 2627 | 2902 | 3152 | 3402 | 3652 | 3902 | 4152 | 4402 | 4652 | 4902 | 2657 | 2857 | 3367 | 3867 | 4300 | 4933 |
| | Lift movement | h_3 | mm | 3239 | 3639 | 4189 | 4689 | 5189 | 5689 | 6189 | 6689 | 7189 | 7689 | 8189 | 5187 | 5787 | 6987 | 7887 | 9187 | 10187 |
| | Height, mast extended | h_4 | mm | 5650 | 6050 | 6600 | 7100 | 7600 | 8100 | 8600 | 9100 | 9600 | 10100 | 10600 | 7600 | 8200 | 9400 | 10300 | 11600 | 12600 |
| | Picking height | h_{28} | mm | 5150 | 5550 | 6100 | 6600 | 7100 | 7600 | 8100 | 8600 | 9100 | 9600 | 10100 | 7100 | 7700 | 8900 | 9800 | 11100 | 12100 |
| | Total lift height | h_{23} | mm | 4189 | 4589 | 5139 | 5639 | 6139 | 6639 | 7139 | 7639 | 8139 | 8639 | 9139 | 6137 | 6737 | 7937 | 8837 | 10137 | 11137 |

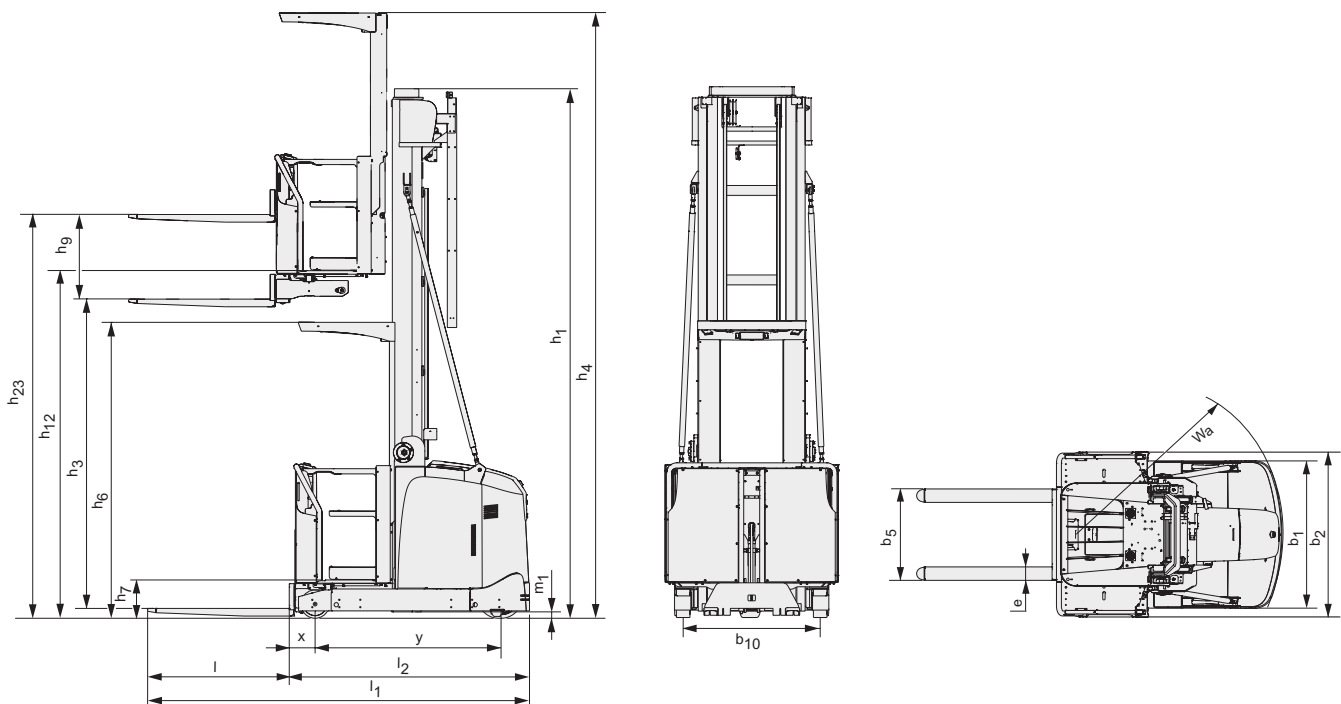
X = Available combination
 — = Non available combination

Working aisle widths

| OME100H | Standard values | | Rail guided trucks | | | | Wire guided trucks | | | |
|---------|---|--------------|--------------------|-----------|-------------|-----------|--------------------|-----------|-------------|-----------|
| | | | EUR pallet | | CHEP pallet | | EUR pallet | | CHEP pallet | |
| | Handling type | | LS | SS | LS | SS | LS | SS | LS | SS |
| | Pallet length | mm | 800 | 1200 | 1000 | 1200 | 800 | 1200 | 1000 | 1200 |
| | Pallet width | mm | 1200 | 800 | 1200 | 1000 | 1200 | 800 | 1200 | 1000 |
| | Chassis width | b_1 mm | 1050/1250 | 1050/1250 | 1050/1250 | 1050/1250 | 1050/1250 | 1050/1250 | 1050/1250 | 1050/1250 |
| | Distance between pallets in aisle | A_{st} mm | 1400/1450 | 1250/1450 | 1400/1450 | 1250/1450 | 1500/1500 | 1250/1450 | 1500/1500 | 1300/1450 |
| | Transfer aisle, VDI Theoretical | A_{st3} mm | 2858/2931 | 3148/3224 | 3033/3108 | 3178/3254 | 2858/2931 | 3148/3224 | 3033/3108 | 3178/3254 |
| | Transfer aisle, Practical ¹⁾ | A_{st3} mm | 3358/3431 | 3648/3724 | 3533/3608 | 3678/3754 | 3858/3931 | 4148/4224 | 4033/4108 | 4178/4254 |

LS = Long side pallet handling
 SS = Short side pallet handling

1) Transfer aisle requirement including recommended operation safety space
 Chassis width, 1050 mm equipped with Duplex mast
 Chassis width, 1250 mm equipped with Triplex mast



Truck features:

- High picking heights
 - Powerful drive & lift motor (AC)
 - Regenerative power when braking and lowering the cab
 - Spacious cab with storage compartments
 - Height adjustable control panel with intuitive controls
 - Information display showing all vital information
 - E-bars for mounting of peripheral equipment
 - Wire guidance or mechanical (rail) guidance in the aisle
 - BT Optipace system for top performance in all handling situations
 - Programmable performance
 - Extended service intervals
- 