

# Order picking truck

Truck specifications					OSE120CB
Identification	1.1	Manufacturer			Toyota
	1.2	Model			OSE120CB
	1.3	Drive			Electric
	1.4	Operator type			Stand on
	1.5	Load capacity/rated load	Q	kg	1200
	1.6	Load centre	c	mm	500
	1.8	Load distance, back of fork to wheel centre	x	mm	73
	1.9	Wheelbase	y	mm	1448
Weight	2.1	Service weight without battery		kg	1599 <sup>1)</sup>
	2.2	Axle load, with load, drive/support arm wheels		kg	615/2725
	2.3	Axle load, without load, drive/support arm wheels		kg	1100/1038
Wheels	3.1	Drive / castor / fork wheels			Vulkollan
	3.2	Wheel size, front	Ø x width	mm	250 x 92
	3.3	Wheel size, rear	Ø x width	mm	140 x 80
Dimensions	4.2	Height, mast lowered	$h_1$	mm	1841
	4.4	Lift movement	$h_3$	mm	2650
		Lift height	$h_{23}$	mm	2700
	4.5	Height, mast extended	$h_4$	mm	3280
	4.7	Height of overhead guard	$h_6$	mm	2226
	4.8	Stand height	$h_7$	mm	135
	4.15	Height, fork lowered	$h_{13}$	mm	50
	4.19	Overall length	$l_1$	mm	2853
	4.20	Length to face of forks	$l_2$	mm	1703
	4.21	Overall width	$b_1/b_2$	mm	790/861
	4.22	Fork dimensions	s/e/l	mm	40/100/1150
	4.25	Width over forks	$b_5$	mm	250-570
	4.31	Ground clearance, below mast	$m_1$	mm	49
	4.32	Ground clearance, centre of wheelbase	$m_2$	mm	72
4.34	Aisle width for pallets 800 x 1200 lengthways	$A_{st}$	mm	3170	
4.35	Turning radius	$W_a$	mm	1636	
4.44	Clear width driver compartment entrance	$l_{24}$	mm	450	
Performance data	5.1	Travel speed, with/without load <sup>*)</sup>		km/h	7,0/12,0
	5.2	Lift speed, with/without load		m/s	0,12/0,27
	5.3	Lowering speed, with/without load		m/s	0,33/0,36
	5.8	Max. gradeability, with/without load <sup>2)</sup>		%	9/13
	5.10	Service brake			Electromagnetic
Electric motor	6.1	Drive motor rating S2 60 min		kW	2,8
	6.2	Lift motor rating S3 6%		kW	2,2
	6.4	Battery voltage, nominal capacity $K_5$		V/Ah	24/465-620
	6.5	Battery weight, min./max.		kg	338/501
	6.6	Energy consumption acc to VDI 2198 cycle <sup>3)</sup>		kWh/h	
	Other	8.1	Type of drive control		
8.4		Sound level at the driver's ear according to EN 12 053		dB(A)	62

1) With small battery, add 125 kg counterweight.

2) Measured according to company standard.

3) Contact your supplier for information.

\*) Travel speed in fork direction: 6,0/10,5 km/h for all models

All data are based on table configuration. Other configurations may give other values.

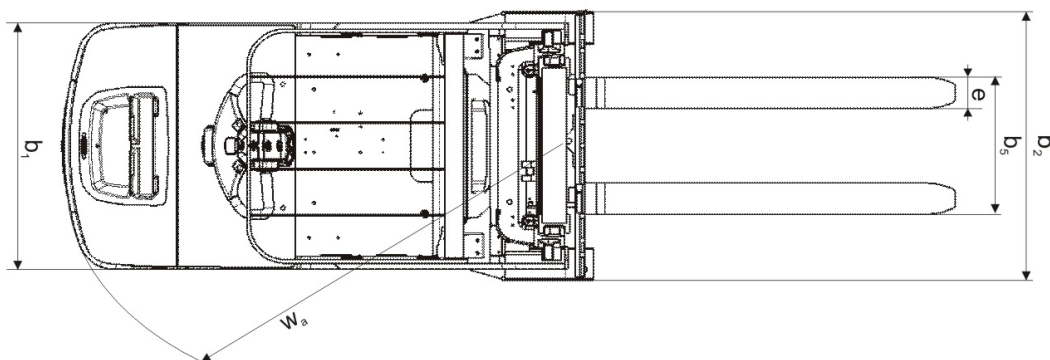
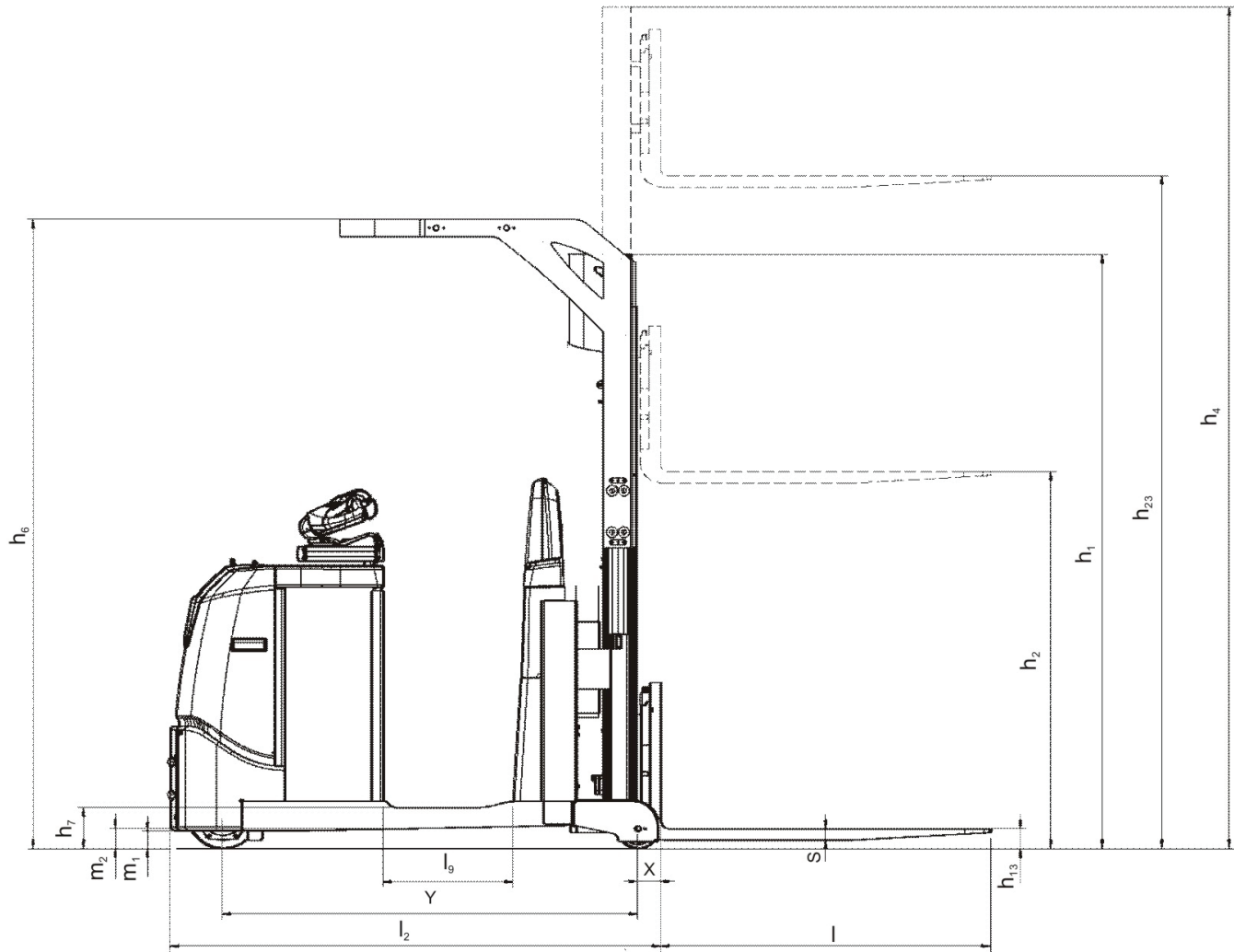
Truck performance and dimensions are nominal and subject to tolerances.

Toyota Material Handling Manufacturing Sweden AB products and specifications are subject to change without notice.

# Mast dimensions

# BT optio

OSE120CB			Simplex			Duplex Tele					Duplex HiLo				
Total lift height ( $h_{13}+h_3$ )	$h_{23}$	mm	1400	1700	1800	2700	2900	3300	3700	4150	2700	2900	3300	3700	4150
Height, mast lowered	$h_1$	mm	1820	2120	2220	1841	1941	2141	2341	2475	1836	1936	2136	2336	2561
Free lift	$h_2$	mm	1400	1700	1800	110	110	110	110	110	1396	1496	1696	1896	2121
Lift movement	$h_3$	mm	1350	1650	1750	2650	2850	3250	3650	4100	2650	2850	3250	3650	4100
Height of truck, max.	$h_4$	mm	1980	2280	2380	3280	3480	3880	4280	4720	3280	3480	3880	4280	4720



---

## Truck features:

- Order picker with stacker possibilities, two trucks in one
  - The same truck can be used for order picking as well as for replenishment, block stacking
  - Low step-in height
  - Integrated shrink film holder in truck front
  - Optimised Truck Performance, (OTP) speed adjustment when cornering etc
  - E-man steering for ergonomic and simple handling
  - Three mast types available, Simplex, Duplex & Triplex
  - Adjustable forged forks for maximum flexibility
  - Available with and without overhead guard
  - Extra platform dampening for bad floors (option)
  - Available with lithium ion or lead/acid batteries
- 