

Pedestrian stacker straddle version

Specification for stacker trucks					SPE140S
Identification	1.1	Manufacturer			BT
	1.2	Model			SPE140S
	1.3	Drive			Electric
	1.4	Operator type			Stand on/pedestrian
	1.5	Load capacity/rated load	Q	kg	1400
	1.6	Load centre	c	mm	600
	1.8	Load distance, centre of support arm wheel to face of forks	x	mm	758
	1.9	Wheelbase	y	mm	1454
	Weight	2.1	Service weight including battery		kg
2.2		Axle load, with load, drive/castor/support arm wheel		kg	550/610/1779
2.3		Axle load, without load, drive/castor/support arm wheel		kg	330/687/522
Wheels	3.1	Drive/castor/fork wheel			Friction/Vulkollan®/Vulkollan®
	3.2	Wheel size, front		mm	Ø 230
	3.3	Wheel size, rear		mm	Ø 140/ Ø 85
	3.4	Additional wheel size		mm	Ø 125
	3.5	Wheels, number front/rear (x = driven wheels)			1x+2/2 or 4
	3.6	Track width, front	b ₁₀	mm	585
	3.7	Track width, rear	b ₁₁	mm	985*
Dimensions	4.2	Height, mast lowered	h ₁	mm	1946
	4.3	Free lift	h ₂	mm	1666
	4.4	Lift	h ₃	mm	4060
		Lift height	h ₂₃	mm	4100
	4.5	Height, mast extended	h ₄	mm	5056
	4.8	Stand height (optional platform)	h ₇	mm	190
	4.9	Height of tiller arm in drive position, min./max.			
		highest setting	h ₁₄	mm	1201/1413
		lowest setting	h ₁₄	mm	1101/1313
	4.10	Height of support arm	h ₁₀	mm	140 or 93
	4.15	Height, fork lowered	h ₁₃	mm	50
	4.19	Overall length			
		platform up	l ₁	mm	2115
		platform down	l ₁	mm	2548
	4.20	Length to face of forks			
		platform up	l ₂	mm	965
		platform down	l ₂	mm	1398
	4.21	Overall width	b ₁ / b ₂	mm	790/1172*
	4.22	Fork dimensions	s/e/l	mm	40/100/1150
	4.25	Width over forks	b ₅	mm	250-890
4.26	Distance between support arms	b ₄	mm	900*	
4.32	Ground clearance, centre of wheelbase	m ₂	mm	40/32,5	
4.33	Aisle width for pallets 1000x1200 crossways				
	platform up	A _{st}	mm	2594	
	platform down	A _{st}	mm	3044	
4.34	Aisle width for pallets 800x1200 lengthways				
	platform up	A _{st}	mm	2473	
	platform down	A _{st}	mm	2923	
4.35	Turning radius				
	platform up	W _a	mm	1677	
	platform down	W _a	mm	2127	
Performance data	5.1	Travel speed, with/without load			
		6 km/h version		km/h	6,0/6,0
		8 km/h version		km/h	7,0/8,0
	5.2	Lift speed, with/without load		m/s	0,17/0,33
	5.3	Lowering speed, with/without load		m/s	0,45/0,45
	5.8	Max. gradeability, with/without load ¹⁾		%	8/12
5.9	Acceleration time (over 10 m)		s	7,1	
5.10	Service brake			Electromagnetic	
Electric motor	6.1	Drive motor rating (S2 60min)			1,8
	6.2	Lift motor rating (S3 15%)		kW	3
	6.4	Battery voltage, nominal capacity K _s		V/Ah	24/300
	6.5	Battery weight		kg	195-270
	6.6	Energy consumption acc to VDI cycle		kWh/h	1,078
	Others	8.1	Type of drive control		
8.4		Sound level at the driver's ear according to EN 12 053		dB (A)	66

1) Measured according to company standard.

*) Further alternatives are available and will produce other values.

Data is based on standard truck and small battery.

All data are based on table configuration. Other configurations may give other values. Truck performance and dimensions are nominal and subject to tolerances. Toyota Material Handling Manufacturing Sweden AB products and specifications are subject to change without notice.

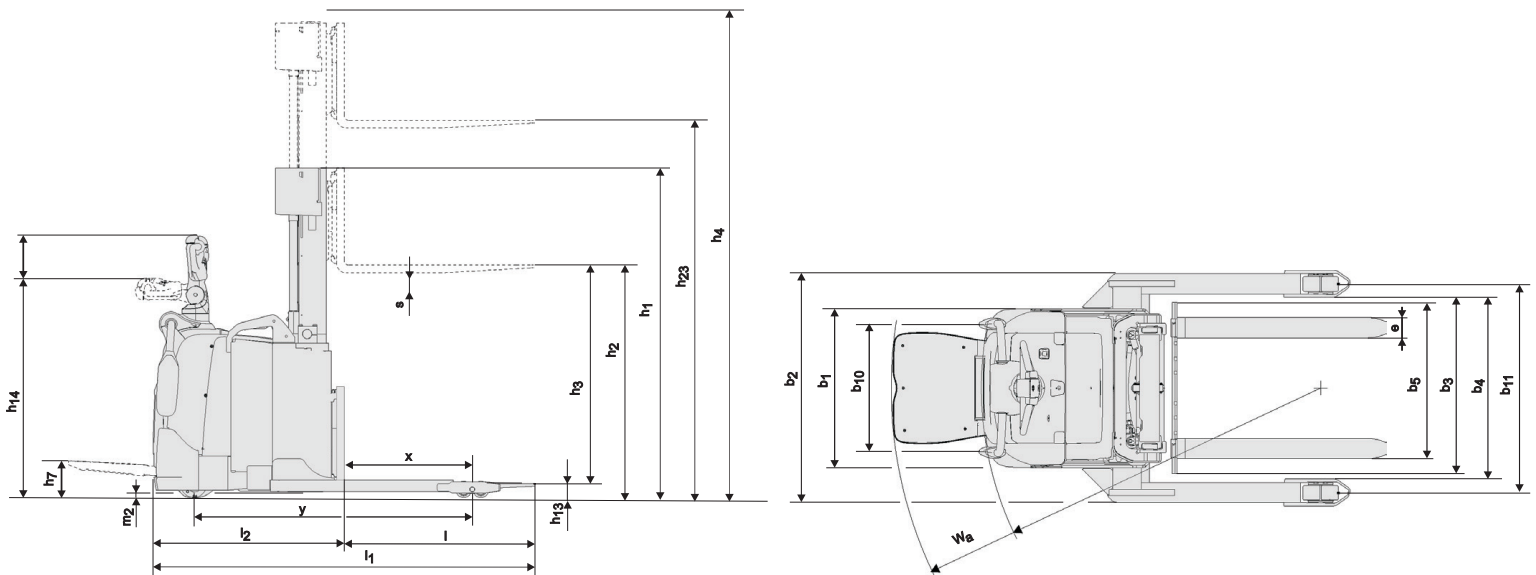
Battery dependent dimensions

Dimensions				SPE140S				SPE140S with backrest					
				Battery		Lift out				Lift out			
						S		L*		S		L*	
1.9	Wheelbase	y	mm	1454		1551		1454		1551			
4.19	Overall length platform up	l_1	mm	2115		2212		—		—			
		l_1	mm	2548		2645		2562		2659			
4.20	Length to face of forks platform up	l_2	mm	965		1062		—		—			
		l_2	mm	1398		1495		1412		1509			
4.33	Aisle width for pallets 1000x1200 crossways platform up	A_{st}	mm	2594		2691		—		—			
		A_{st}	mm	3044		3141		3219		3316			
4.34	Aisle width for pallets 800x1200 lengthways platform up	A_{st}	mm	2473		2570		—		—			
		A_{st}	mm	2923		3020		3098		3195			
4.35	Turning radius platform up	W_a	mm	1677		1774		—		—			
		W_a	mm	2127		2224		2302		2399			
6.4	Battery voltage, nominal capacity K_5		V/Ah	24/300		24/500		24/300		24/500			
6.5	Battery weight, min.—max.		kg	195-310		345-405		195-310		345-405			

* DIN battery will give same truck dimensions as for the large battery

Mast dimensions

Mast				Duplex Tele Panoramic View						Duplex HiLo						Triplex HiLo					
SPE140S	h_{23}	Lift height ($h_{13}+h_3$)	mm	2300	2750	3250	3650	4100	2300	2450	2750	3250	3650	4100	3250	3650	3900	4100	4450	4750	5350
	h_3	Lift	mm	2210	2660	3160	3560	4010	2210	2360	2660	3160	3560	4010	3160	3560	3810	4010	4360	4660	5260
	h_1	Height, mast lowered	mm	1737	1962	2212	2412	2637	1736	1811	1961	2211	2411	2636	1662	1796	1879	1946	2062	2162	2362
	h_2	Free lift, ground to top of forks	mm	—	—	—	—	—	1256	1332	1482	1732	1932	2156	1194	1328	1410	1478	1594	1694	1894
	h_4	Height, mast extended	mm	2892	3342	3842	4242	4692	2891	3041	3341	3841	4241	4691	3816	4218	4467	4668	5016	5316	5916



Truck features:

- BT Powertrak traction system
 - Optimized Truck Performance
 - Fingertip controls
 - Electronic braking system
 - Electronic speed control
 - Operator safety
 - Storage compartments
 - Automatic switch-off
 - Programmable performance
 - Easy access for maintenance
 - Sensilift
 - Toyota I_site: truck fleet management system (option)
 - Hydraulic oil for low temperatures (option)
- 